



How Secure Elements and HCE Can Coexist on an NFC device

SCA – NFC Summit 2014

Austin, Texas

Philip Andrae

OT, a World Leader In Digital Security Solutions for the mobility Space

€1 bn

REVENUE



+ 6000
EMPLOYEES



600
PEOPLE
IN 10 R&D CENTRES



+ 50
OFFICES

uniquely positioned to enable CONVERGENCE



PAYMENT:
MORE THAN
2,000 FINANCIAL
INSTITUTIONS



TELECOM:
MORE THAN 400
MOBILE OPERATORS
(INCL.8 OF TOP 10)



IDENTITY:
MORE THAN 100
REFERENCES



[Paper]



[Plastic]



[Mobile]



[Cloud]

- OT core business for decades is to *enable and secure emerging payments*



From paper and plastic ... to *digital money*

OT Is The Right Partner To Cover All The Scenarios

Secure Credentials Manager For any kind of Secure Element



OT trusted by 2000+
Financial Institutions



Sensitive Data Transfer
Secret keys
Payment credentials



Plastic SE



EMV Chip Card



Mag stripe Card



Mobile SE



SIM card



Embedded SE



TSM



Cloud SE



Secure Element in the cloud



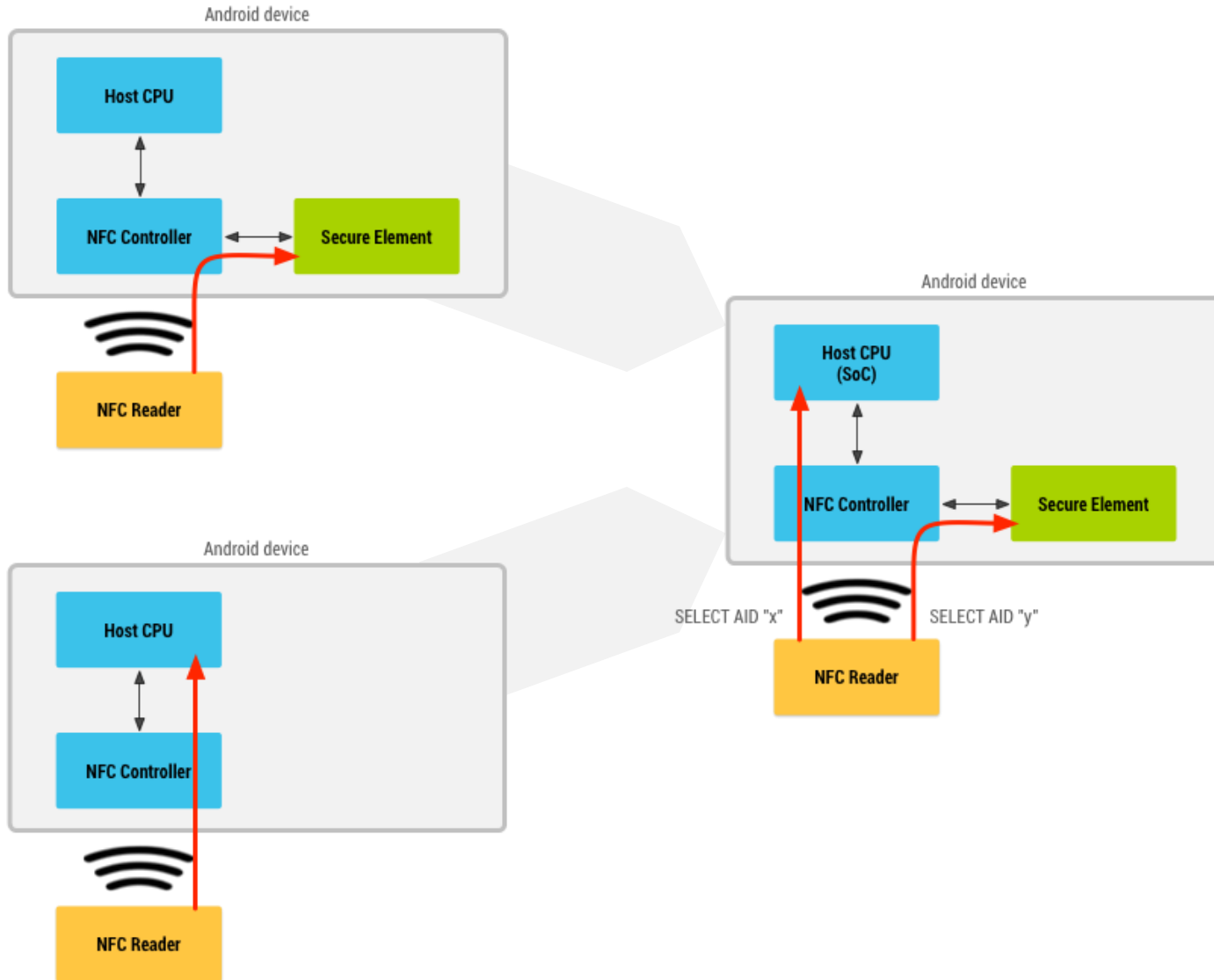
Cloud Based Mobile Payment Solution (HCE)



- ③ OT is a **FIDO board member**
- ③ **World's first** Fido authenticator in the SIM: in demonstration at #MWC2014
- ③ Voice biometry : “My Voice is My Password” **2013 Sesames Winner**
- ③ Providing end-to-end security (server + client)



And then there is a bit of technology





T H E M C O M P A N Y

Philip Andreae
Director Field Marketing
p.andreae@oberthur.com
+1 404 680 9640